

4

3

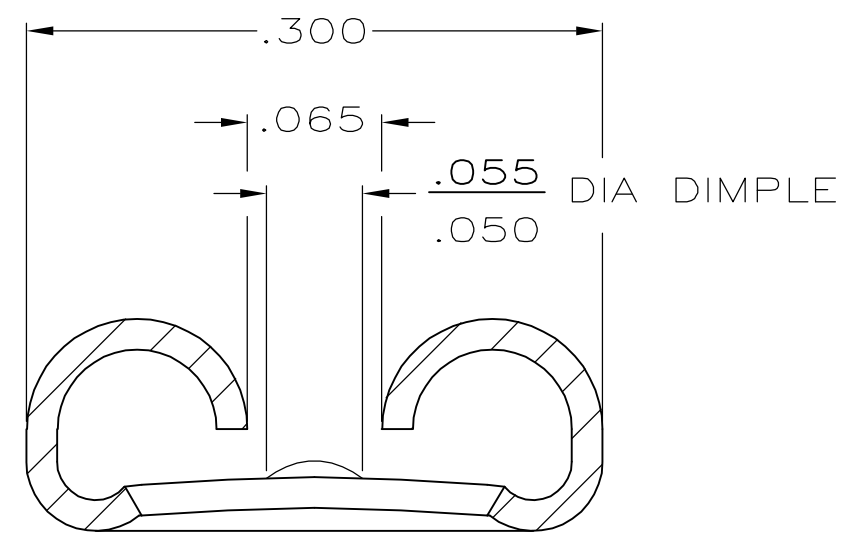
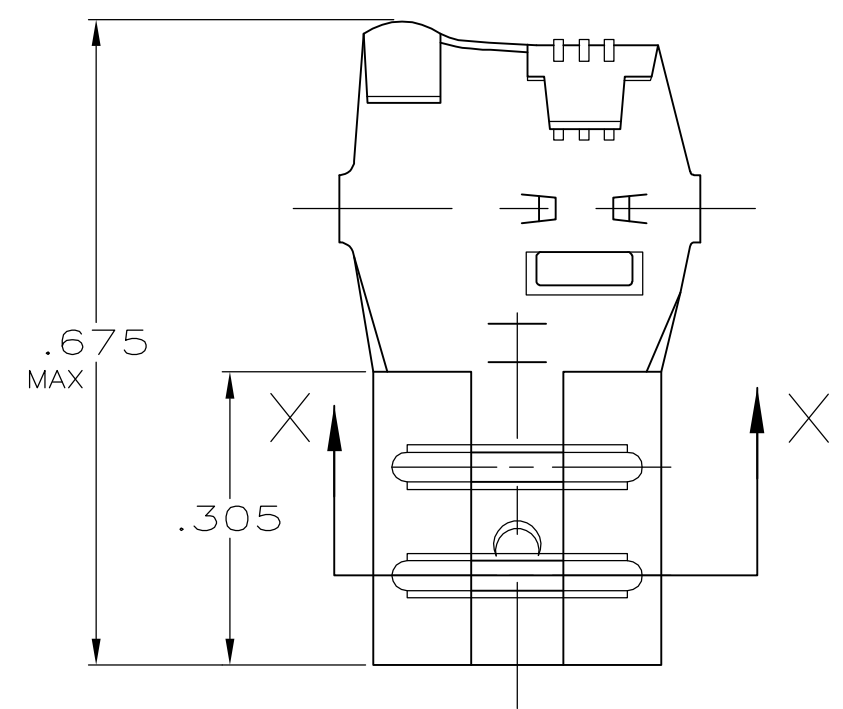
2

1

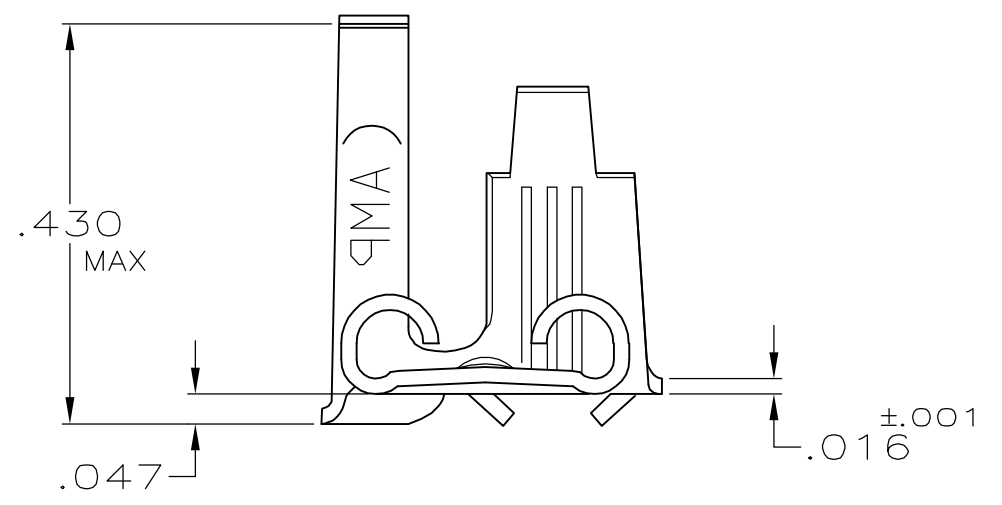
THIS DRAWING IS UNPUBLISHED. RELEASED FOR PUBLICATION  
 © COPYRIGHT BY TYCO ELECTRONICS CORPORATION. ALL RIGHTS RESERVED.

LOC	DIST	REVISIONS			
P	LTR	DESCRIPTION	DATE	DWN	APVD
AF	50	A1	REL PER ECR 06-000940	18JAN07	JR PD

- 1 CONTINUOUS STRIP ON REELS
- 2 WIRE SIZE IS #18-#12 AWG
- 3 INSULATION DIA IS .110-.210
- 4 MATING TAB THK IS .032±.001



SECTION X-X  
 SCALE 10:1



1742460-1  
 PART NO.

THIS DRAWING IS A CONTROLLED DOCUMENT.		DWN JR RUTH 04AUG06	Tyco Electronics Corporation Harrisburg, PA 17105-3608				
DIMENSIONS: INCHES		CHK P DESANTIS 04AUG06					
TOLERANCES UNLESS OTHERWISE SPECIFIED:		APVD P DESANTIS 04AUG06	NAME				
0 PLC ± - 1 PLC ± - 2 PLC ± - 3 PLC ± .010 4 PLC ± - ANGLES ± -		PRODUCT SPEC	RECEPTACLE, FLAG, FASTON, .250 SERIES				
MATERIAL H02 STEEL		FINISH .000150 MIN NICKEL	APPLICATION SPEC	SIZE A3	CAGE CODE 00779	DRAWING NO C-1742460	RESTRICTED TO
CUSTOMER DRAWING			WEIGHT -	SCALE 5:1	SHEET 1 OF 1	REV A1	